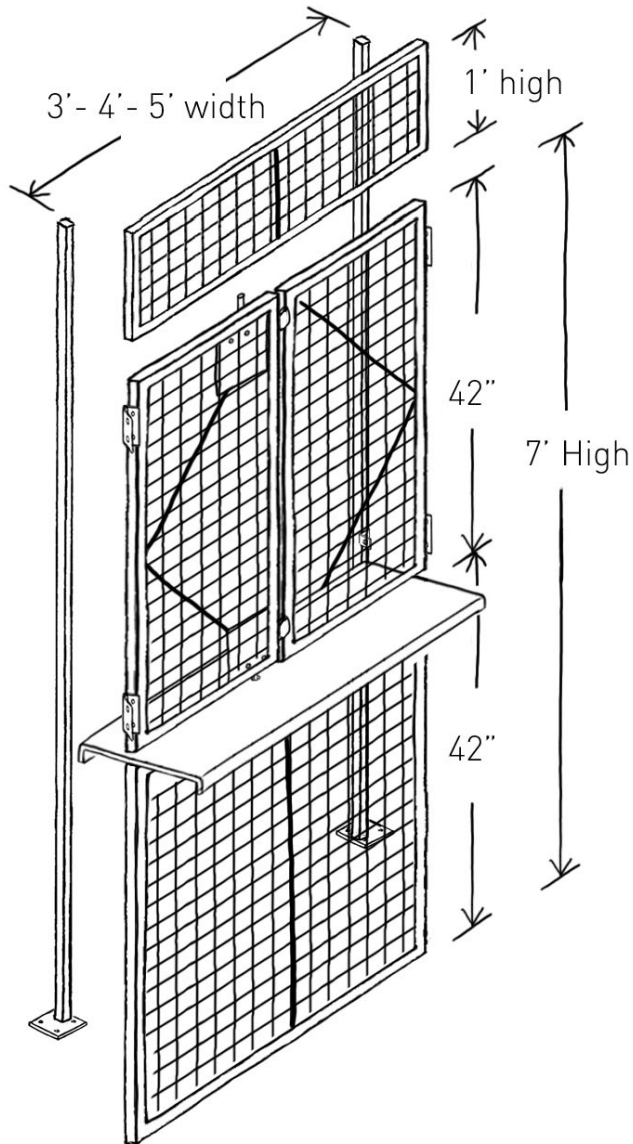


INSTALLATION MANUAL

For the most current release of this manual,
please visit our website at **cogan.com**

V.2015.1



| | |
|--------------------|---------------------------|
| Product | Safegarde® Partition Gate |
| Sub-product | Service wicket door |

- Equipped with two spring locks.

- Can be installed in 2 different orientation, refer to installation drawings for specific opening side.

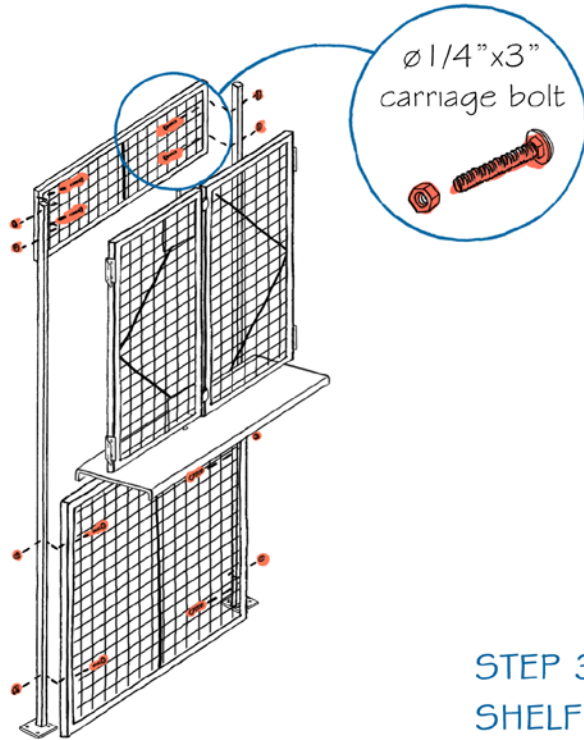


A Tradition of Quality Since 1901

cogan.com

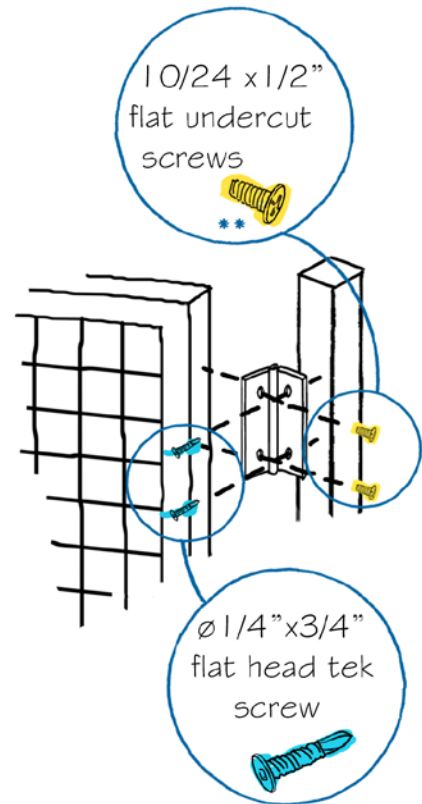
STEP 1 ATTACH TRANSOM PANEL

Bolt the transom and bottom panels between both posts by making sure to clear the full height of the doors.
(refer to installation drawings)



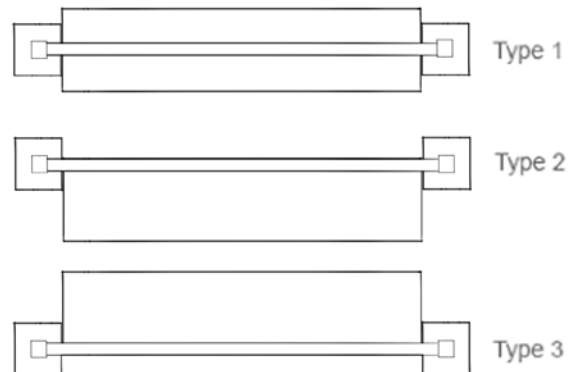
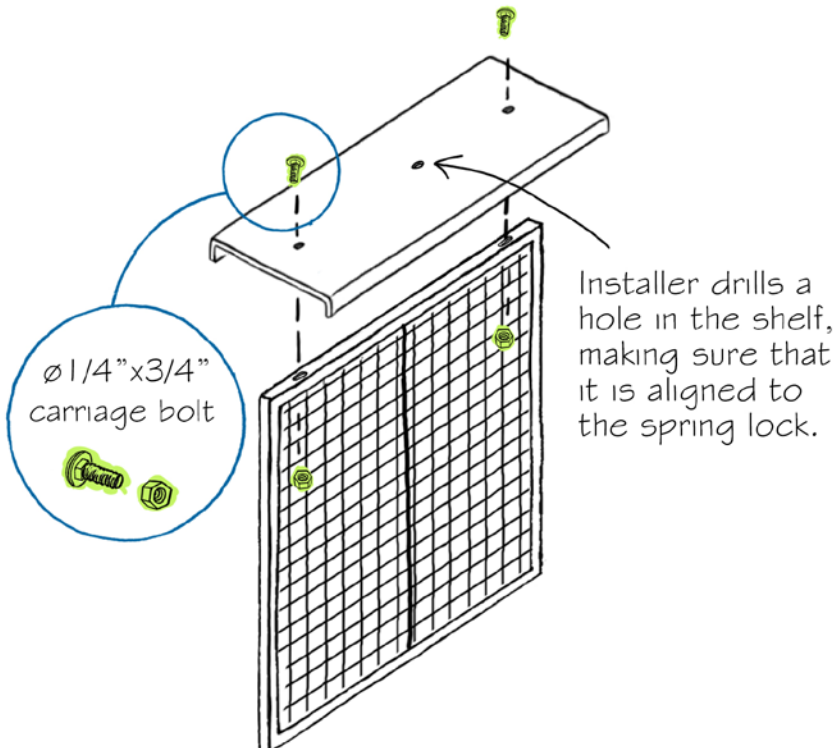
STEP 2 HINGES (SERVICE DOOR)

Screw the hinges to the door frame using 10/24 x 1/2" flat undercut screws. Then attach the door hinges to the post using ø 1/4" x 3/4" flat head tek screw.



STEP 3 SHELF

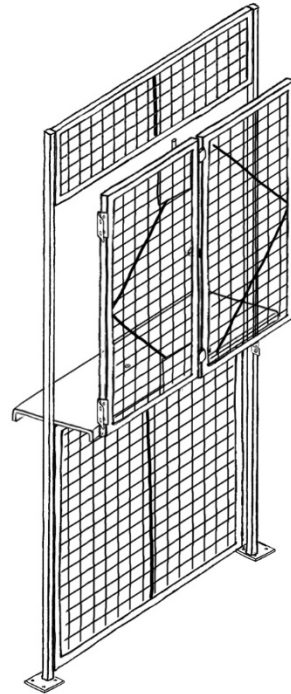
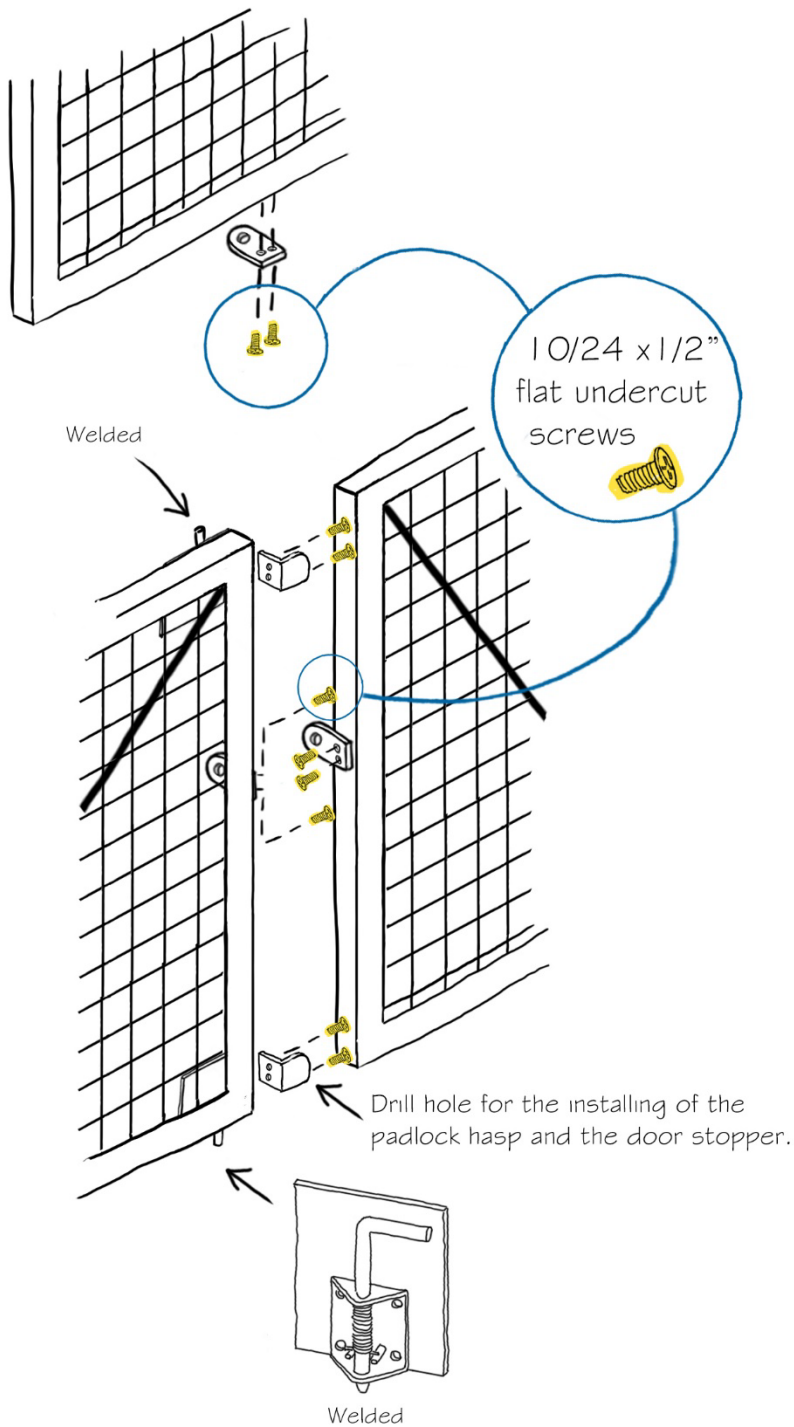
Bolt and drill the shelf based on the type of self style is selected.



**Cogan installs during manufacturing.

STEP 4 DOOR STOPPER AND SPRING LOCKS

Door stoppers are attached on top and bottom of each door frame. Be careful to locate them in the proper orientation. (refer to your installation drawings for door opening side)
Spring lock is factory assembled on a mounting plate. Cogan also pre-welded it on one door frame and as well as the receiving lock plate on the transom panel frame



NOTES
